



Optics  
**Shinland**

Each Ray is brighter in Shinland

# SL-075C

## Details

---

Material:	URC2500
Cover Material:	PC
Process:	Vaccum Aluminum Plating PC
MAX Diameter:	75.0mm
Height:	53.5mm
Matched Holder:	SL-HD-A
Matched Cover:	SL-075-CLEAR-LENS/SL-075-MIXING-LENS
ROSH Compliant:	YES
Status:	Ready

## Optical Properties

---

Code	Typ. FWHM	Typ. Eff
SL-07515C	15°	90%
SL-07524C	24°	90%
SL-07538C	38°	90%
SL-07555C	55°	90%

---

## Matched LED Source

CXM-14

CHM-14

CXA18

V13 Gen6

Vero13

1204/1205

LC020C

LC040C

EDC-47C

EDC-57C-20

NVCxL024Z

NFCxL060B

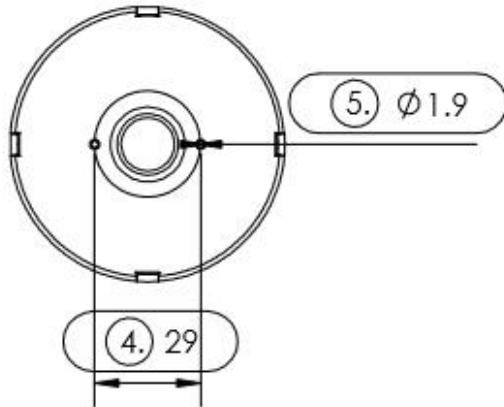
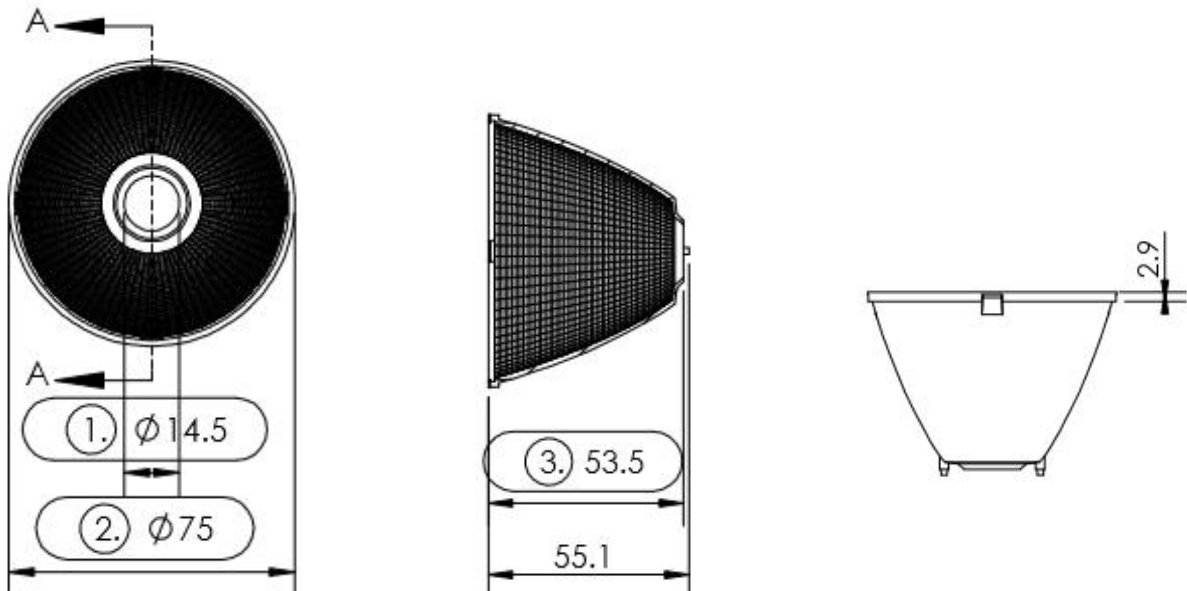
## Photo



# Dimensional Figure

## SL-075C

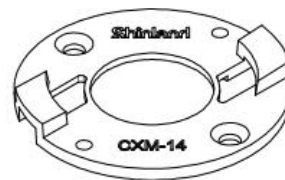
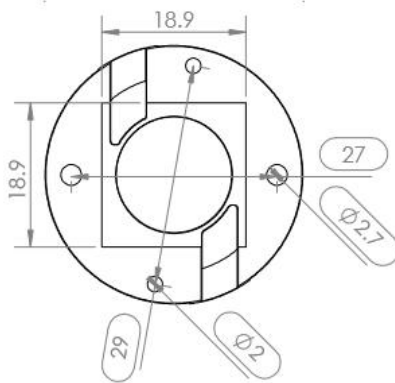
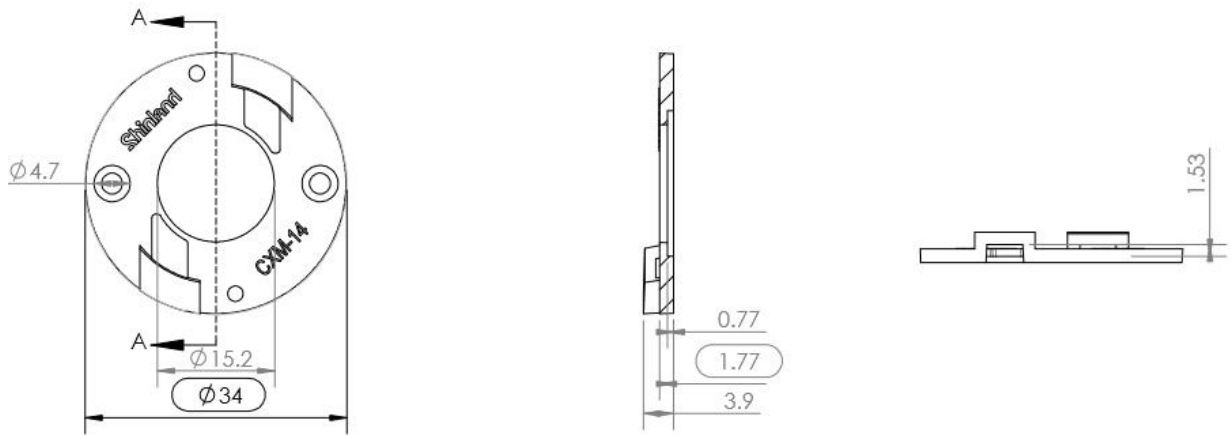
Measure Unit: mm



# Dimensional Figure

## SL-CXM-14-HD-A

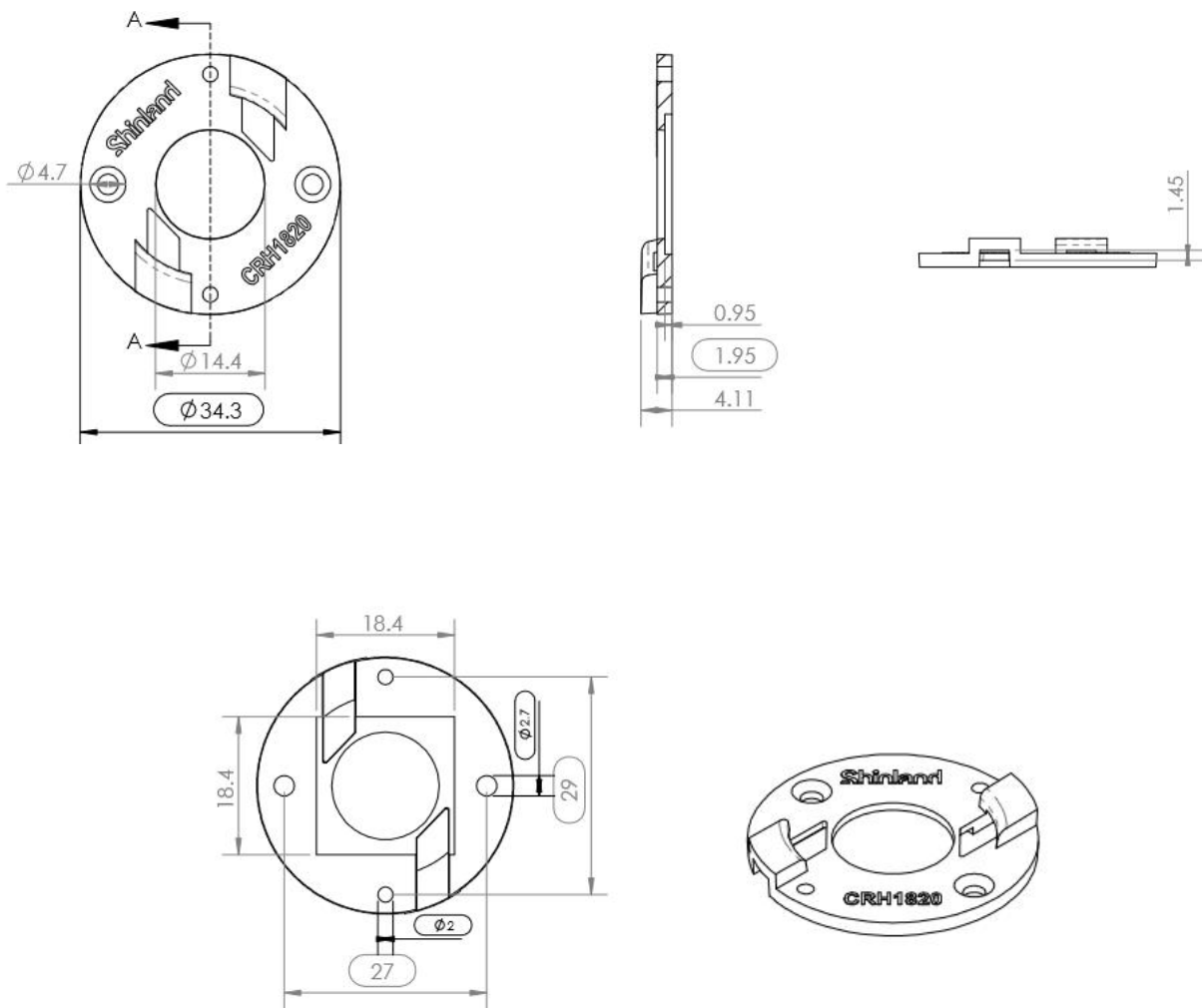
Measure Unit: mm



# Dimensional Figure

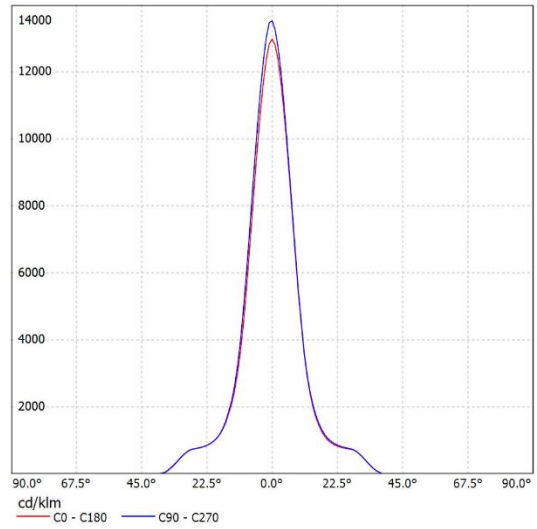
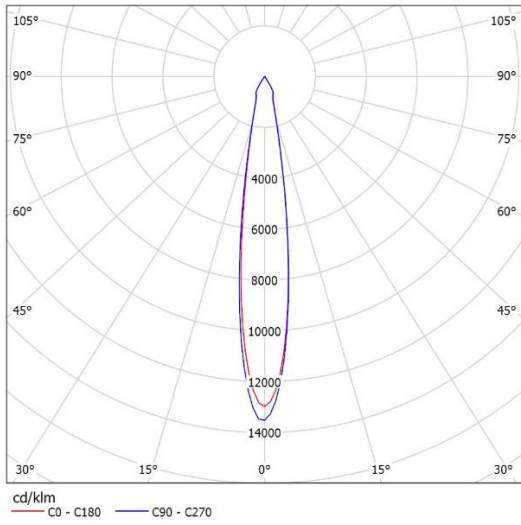
## SL-CXA1820-HD-A

Measure Unit: mm

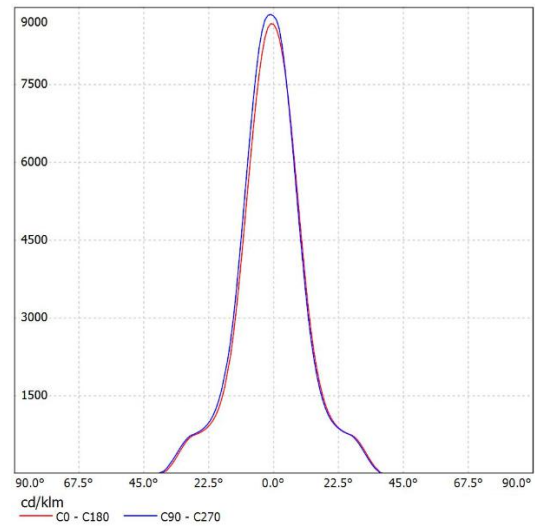
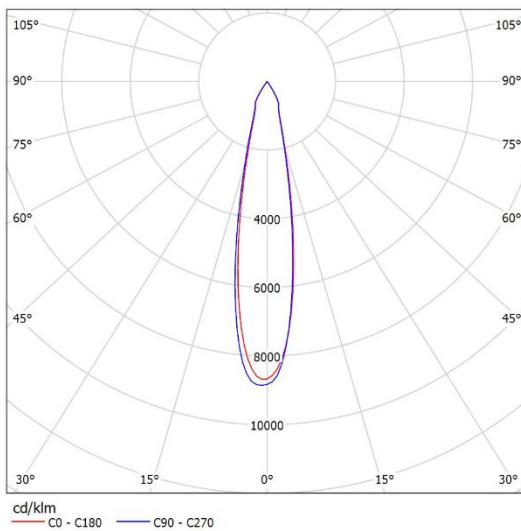


# Distribution Curve Flux

## SL-075C&SL-CXM-14-HD-A



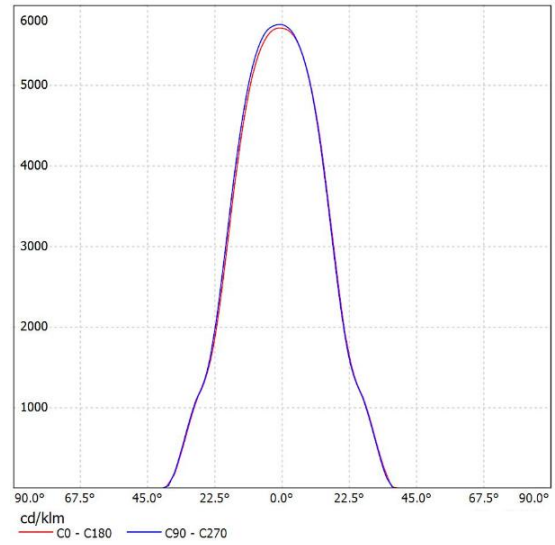
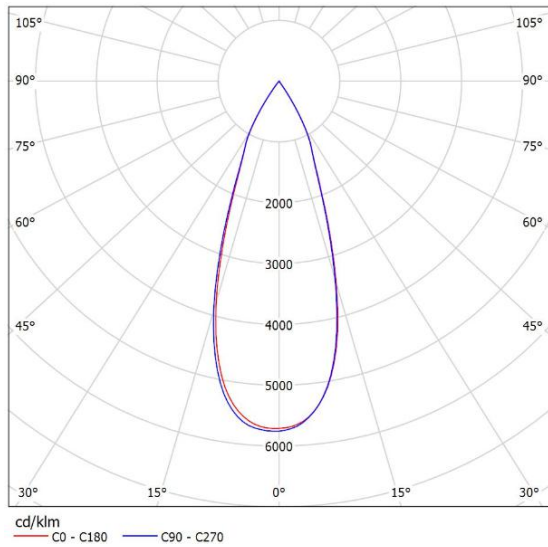
**SL-07515C**  
K:7.50cd/Im,LED:CXM-14



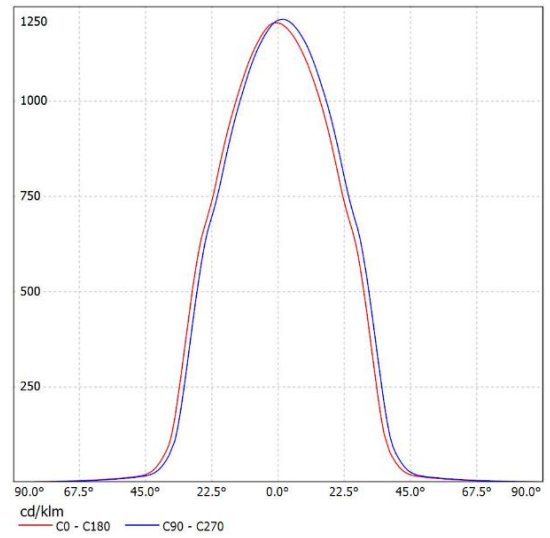
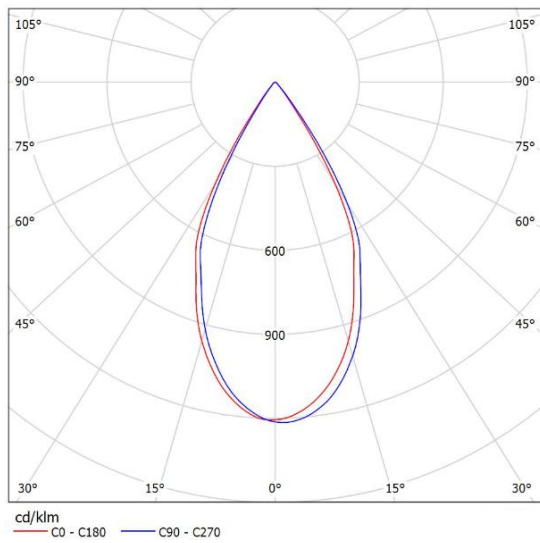
**SL-07524C**  
K:4.99cd/Im,LED:CXM-14

# Distribution Curve Flux

## SL-075C&SL-CXM-14-HD-A



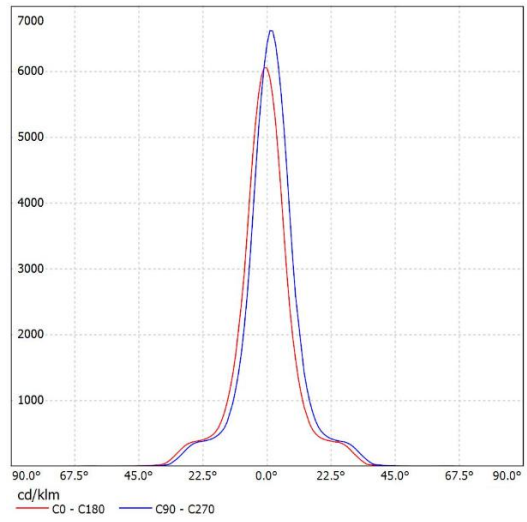
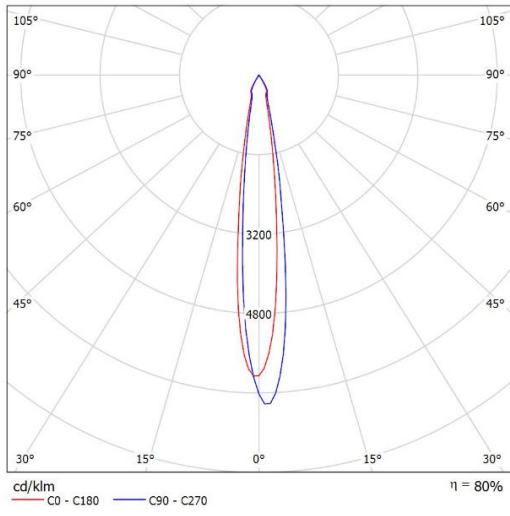
**SL-07538C**  
K:2.40cd/lm,LED:CXM-14



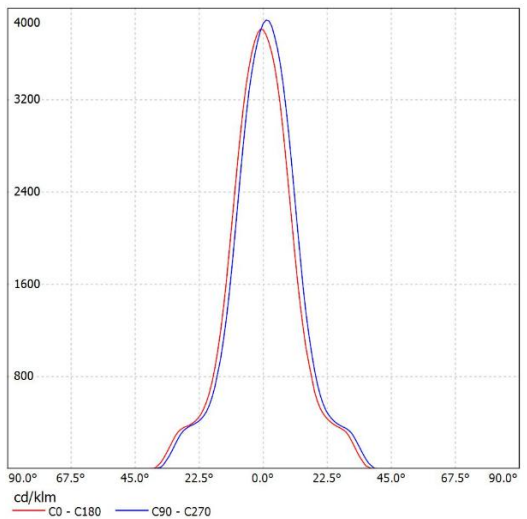
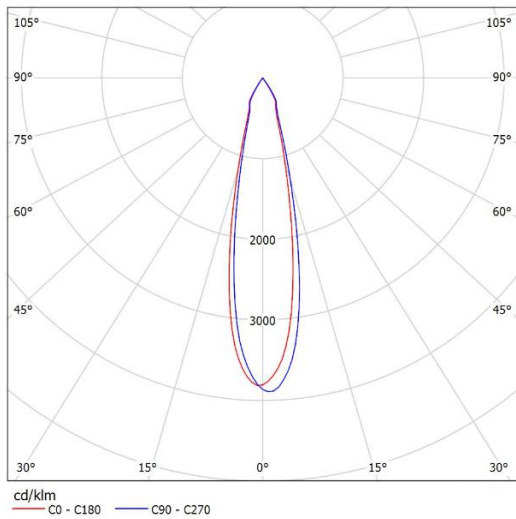
**SL-07555C**  
K:1.45cd/lm,LED:CXM-14

# Distribution Curve Flux

## SL-075C&SL-CXA1820-HD-A



**SL-07515C**  
K:8.22cd/lm,LED:CXA1820

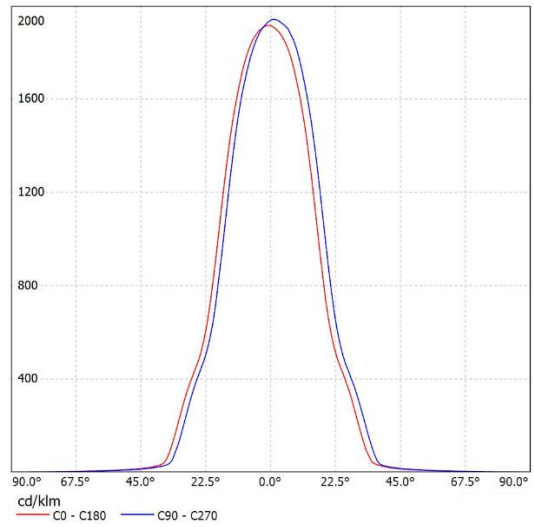
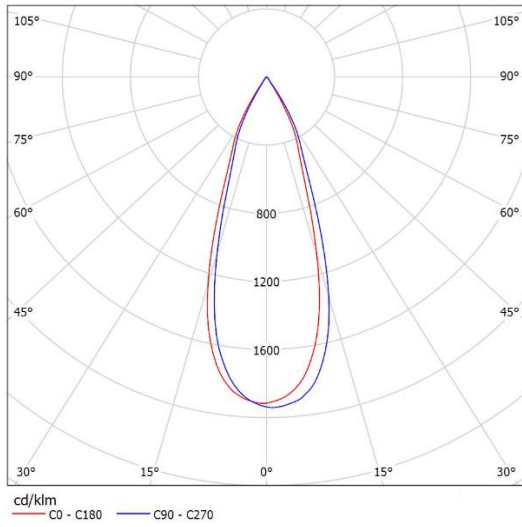


**SL-07524C**  
K:4.51cd/lm,LED:CXA1820

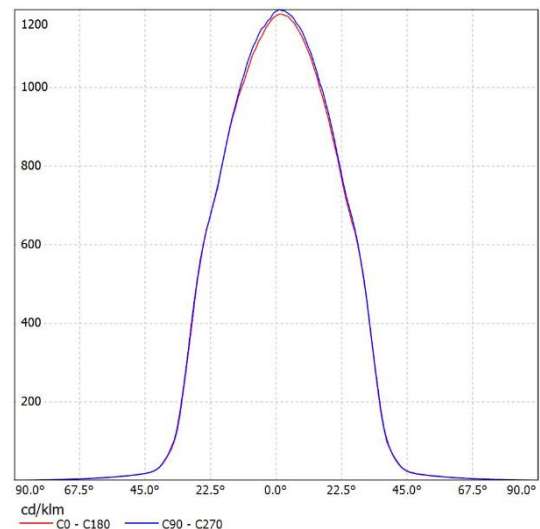
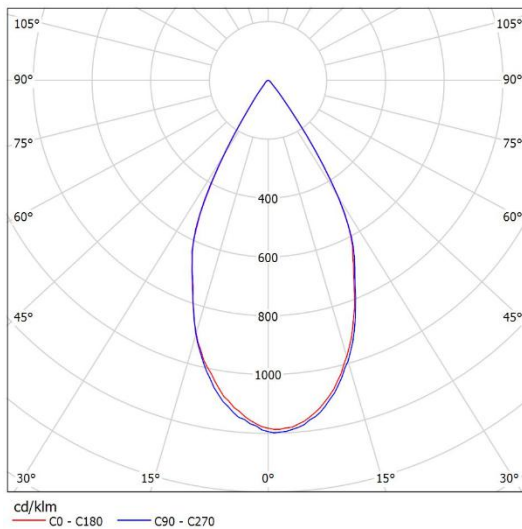


# Distribution Curve Flux

## SL-075C&SL-CXA18-HD-A



**SL-07538C**  
K:2.40cd/lm,LED:CXA1820



**SL-07555C**  
K:1.47cd/lm,LED:CXA1820

## Package Description

SL-075C

Part NO.	Without pc cover		With pc cover		Box Size(cm)
	Number per Box (pcs)	Box Weigh(kg)	Number per Box (pcs)	Box Weigh(kg)	
SL-07515C	252	6.65	224	7.40	60 X 37 X45
SL-07524C	252	7.20	224	8.05	60 X 37 X45
SL-07538C	252	7.03	224	8.28	60 X 37 X45
SL-07555C	252	8.03	224	8.68	60 X 37 X45

## Notes

- It is not allowed to scrub the reflective surface. If there is dust on the surface, please clean by soft cotton with little water.
  - It is forbidden to clean with industrial solvent such as ethanol.
  - Storage temperature: 0°C-40°C, and humidity:30%-95%.
  - Recommended operating temperature (PC) is <100°C.
  - Keep reflectors in package to void the dust.
  - Prohibit the reflector touch with acid or alkaline solvent
- 

## About Shinland

Shenzhen Shinland Co. Ltd,one of the longest and most professional company in lighting optical field,have 20 years experience.Different from other factory which only have simple process, all aspects included R&D,making mold,injection molding ,vacuum coating and market support are our company own vertically integrated production .

Insisting on 'Quality First, Service First' and pragmatic, enterprising spirit,building the market by quality, casting our brand by credibility and integrity ,Shinland now become the leading supplier of lighting optical solution in China.