



Optics
Shinland

Each Ray is brighter in Shinland

SL-A-069C

Details

| | |
|-----------------|--|
| Material: | URC2500 |
| Cover Material: | PC |
| Process: | Vaccum Aluminum Plating PC |
| MAX Diameter: | 69.0mm |
| Height: | 34.2mm |
| Matched Holder: | SL-HD-B |
| Matched Cover: | SL-069-CLEAR-LENS/SL-069-MIXING-LENS SL-069-WOF-LENS-B/SL-069-FSQ-LENS-B SL-069-M-LENS-B/SL-069-F-LENS-B SL-069-WW-LENS-B |
| ROSH Compliant: | YES |
| Status: | Ready |

Optical Properties

| Code | Typ. Angle | Typ. efficiency |
|-------------|------------|-----------------|
| SL-A-069C-S | 14°-20° | 87% |
| SL-A-069C-M | 27°-30° | 88% |
| SL-A-069C-L | 37°-40° | 88% |

Photo



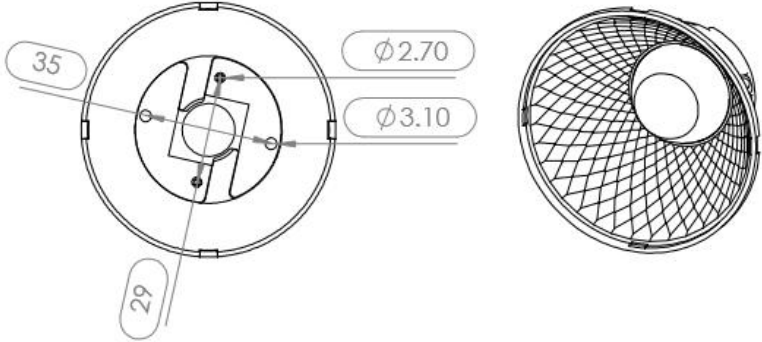
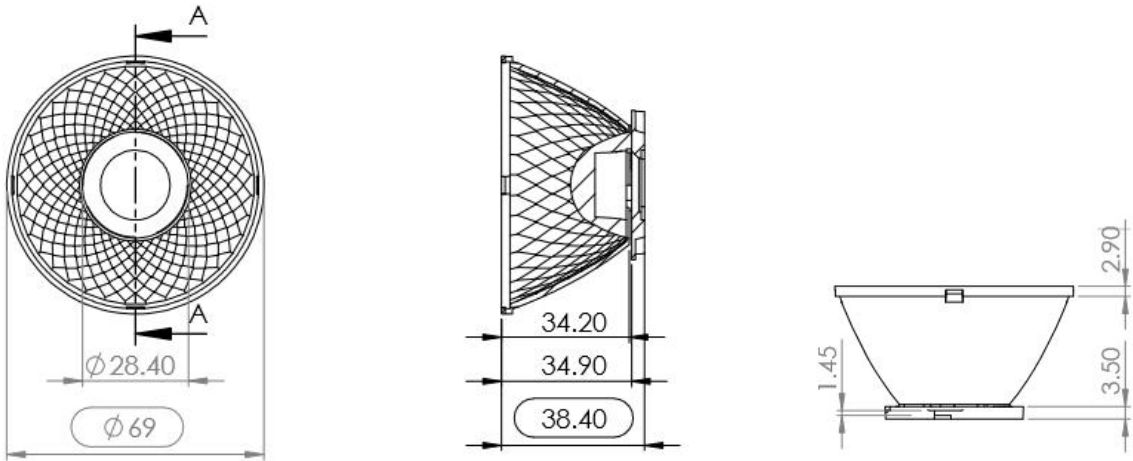
Matched

COB

| | |
|---------------|------------------------|
| CLU028 | 105 |
| CLU038 | 1202/1203 |
| CLU701 | 1204/1205 |
| CLU711 | 1208 |
| CLU721 | |
| CLU731 | G4-10 |
| CLC020 | G4-17 |
| CXM-6 | XTM-9 |
| CXM-7 | |
| CXM-9 | LC010C |
| CXM-14 | LC020C |
| CHM-6 | LC006B |
| CHM-9 | LC040C |
| CHM-11 | LC026B |
| CHM-14 | LC033B |
| CDM-9/CTM-9 | |
| CDM-14/CTM-14 | EDC-38C |
| CDM-18/CTM-18 | EDC-47C EDC-57C-20 |
| CXA13 | |
| CXA15 | NJCxS024Z |
| CXA18 | NVCxL024Z |
| CXA1830 | NVExJ048Z NTCxS024B |
| V10 Gen6 | NFCxL036B |
| V10 Gen7 | NFCxL060B |
| V13 Gen6 | NFCxJ108B |
| V13 Gen7 | NFDxJ130B |
| V15 Gen6 | |
| Vero13 | |
| E8 | |
| E13 | |
| Vesta TW9 | |
| Vesta TW13 | |
| Soleriq S9 | |
| Soleriq S13 | |

Dimensional Figure SL-A-069C&SL-A-069C-LENS

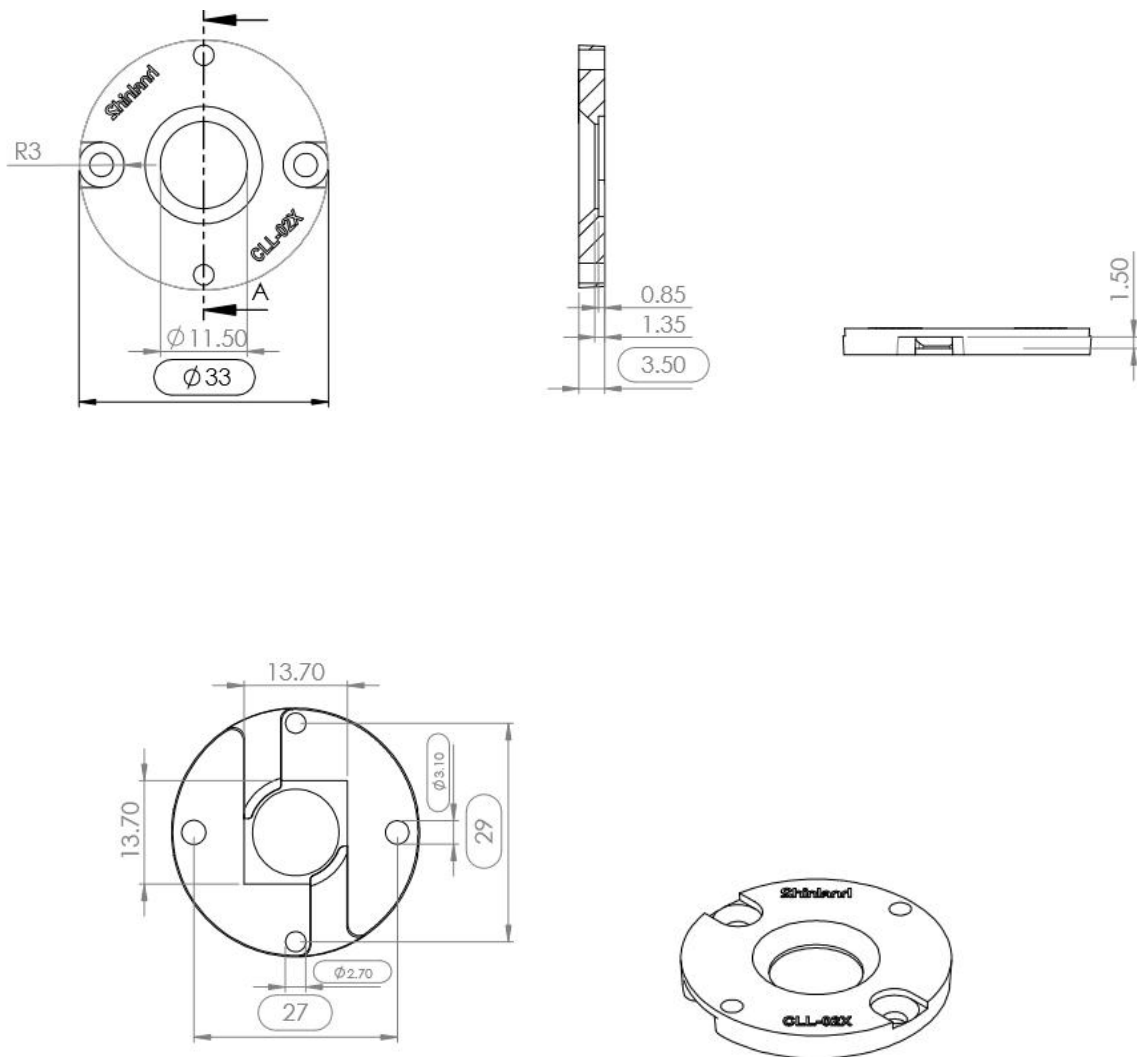
Measure Unit: mm



Dimensional Figure

SL-CLL02X-HD-B

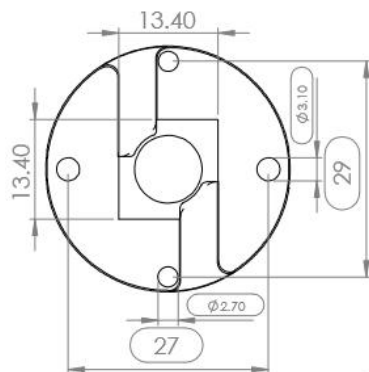
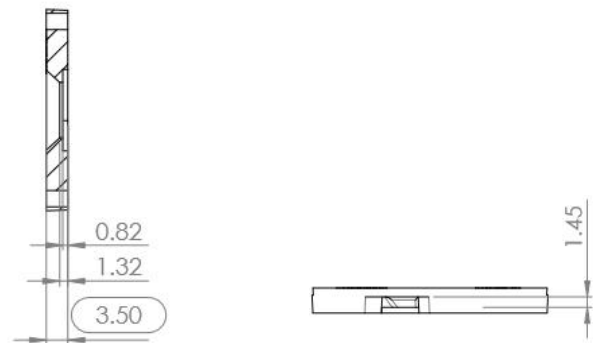
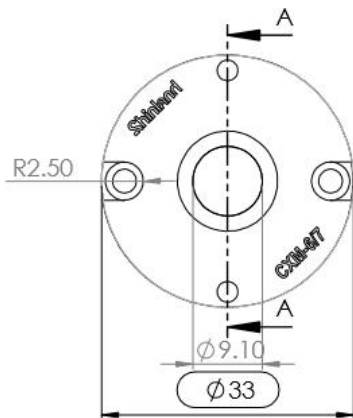
Measure Unit: mm



Dimensional Figure

SL-CXM-6/7-HD-B

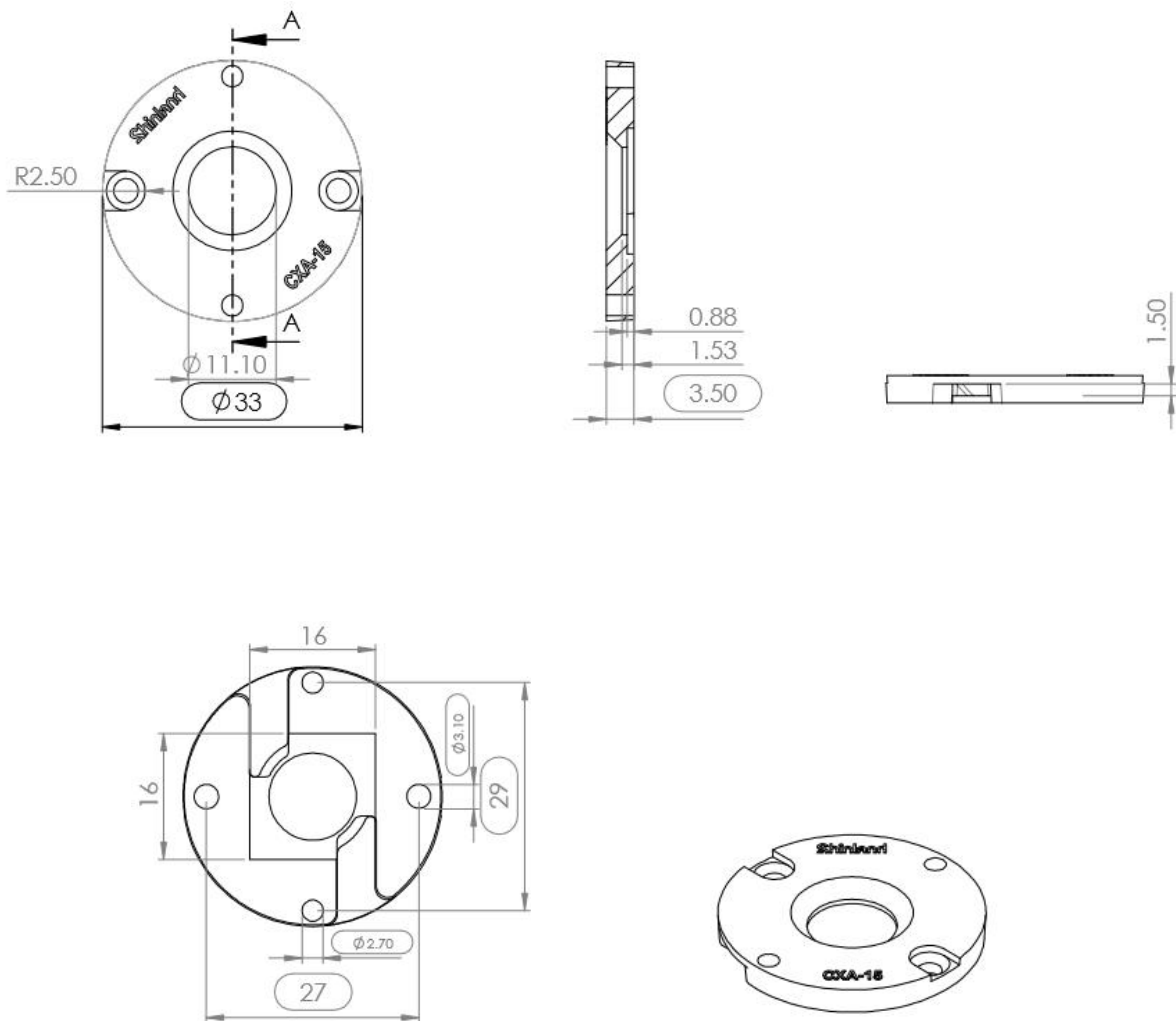
Measure Unit: mm



Dimensional Figure

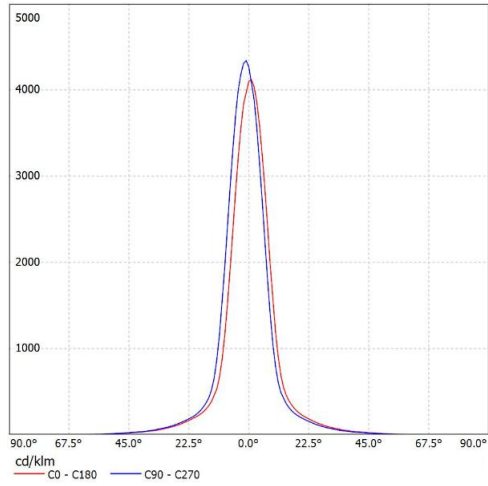
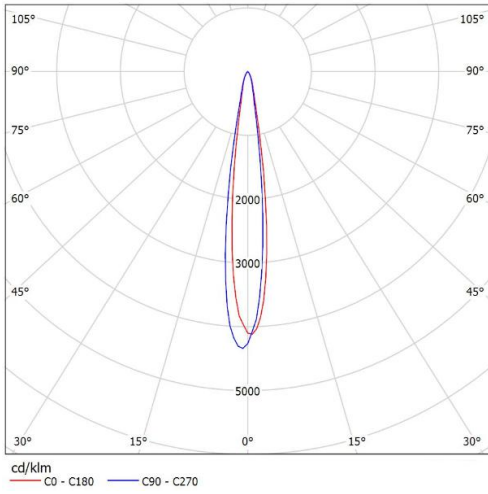
SL-CXA15-HD-B

Measure Unit: mm

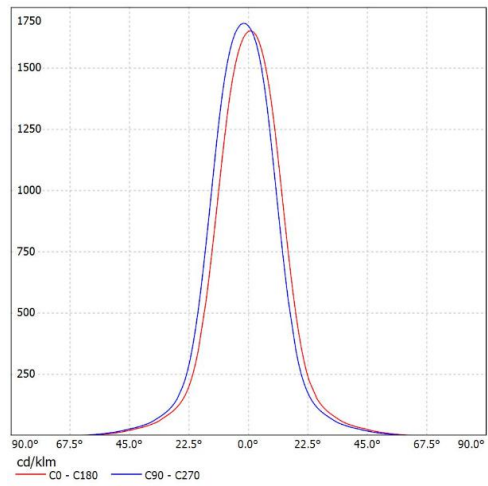
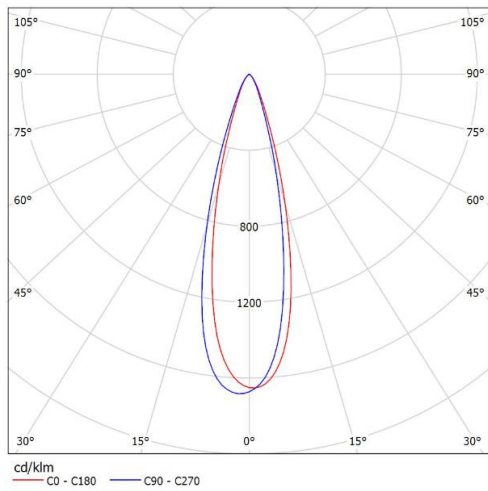


Distribution Curve Flux

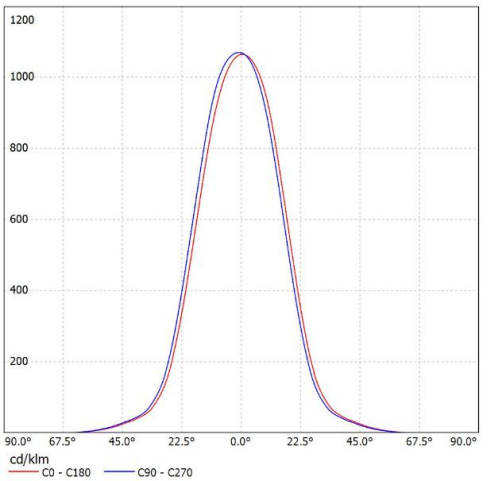
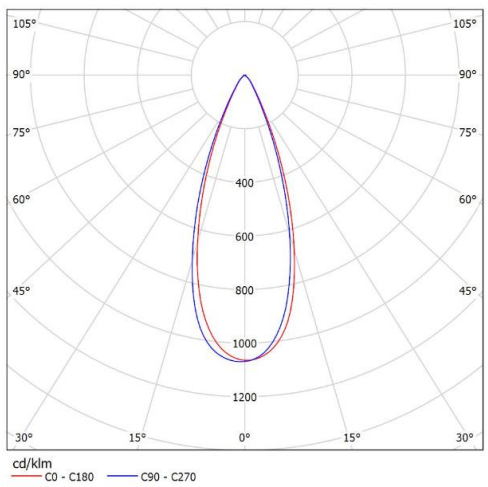
SL-A-069C&SL-A-069C-LENS&SL-CLL020-HD-B



SL-A-069C-S
K:9.38cd/lm,LED:02x



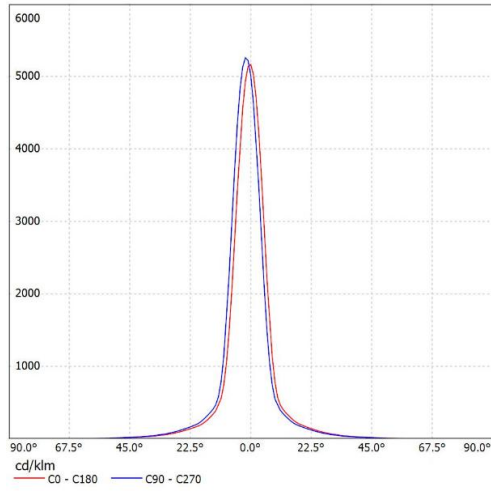
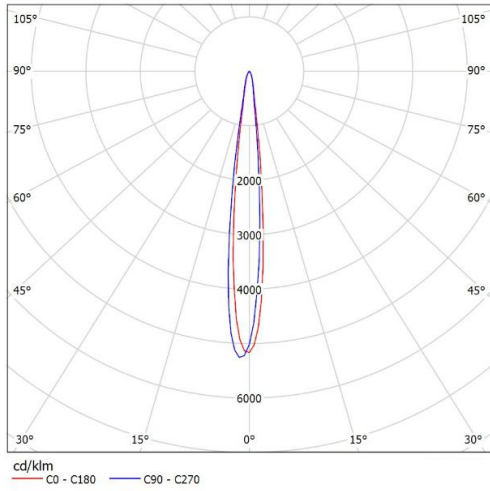
SL-A-069C-M
K:3.59cd/lm,LED:02x



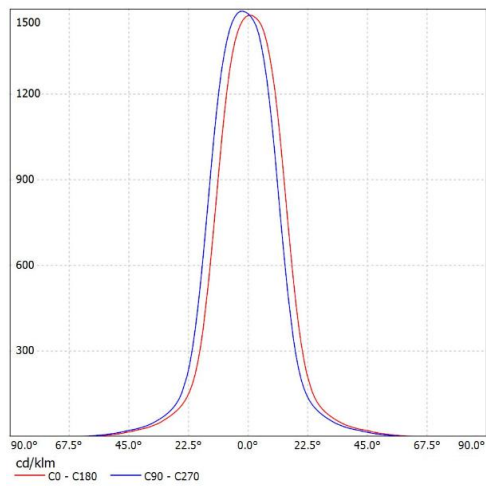
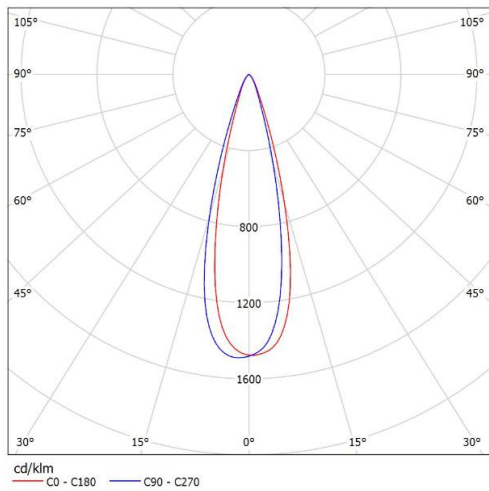
SL-A-069C-L
K:2.28cd/lm,LED:02x

Distribution Curve Flux

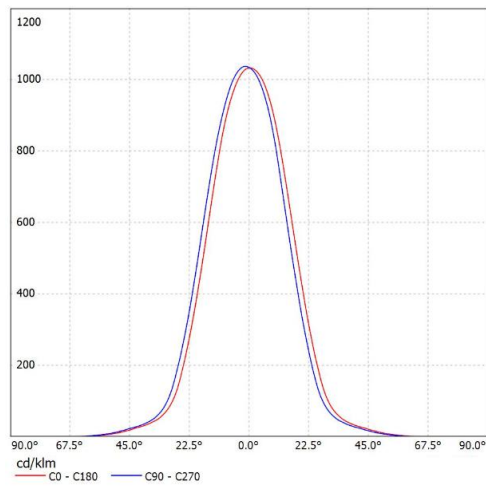
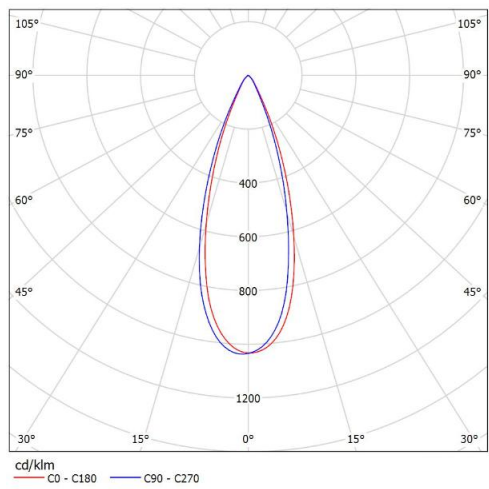
SL-A-069C&SL-A-069C-LENS&SL-CXM-6/7-HD-B



SL-A-069C-S
K:13.58cd/Im,LED:CXM-6



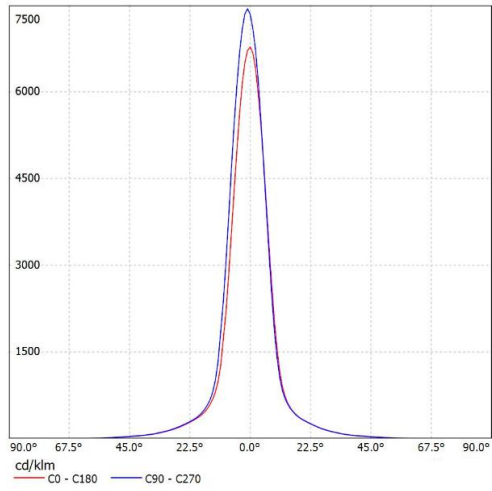
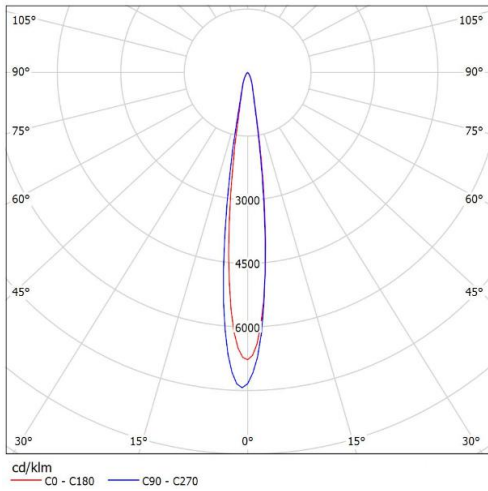
SL-A-069C-M
K:3.59cd/Im,LED:CXM-6



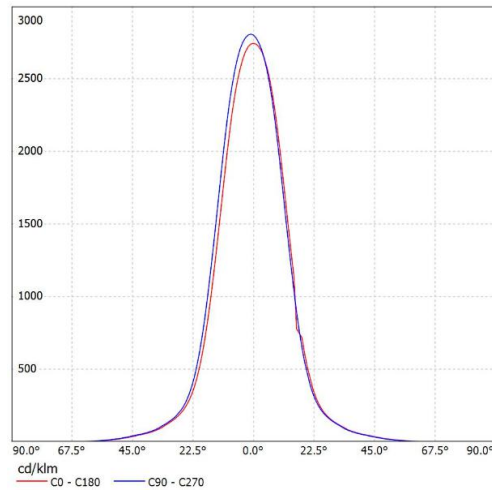
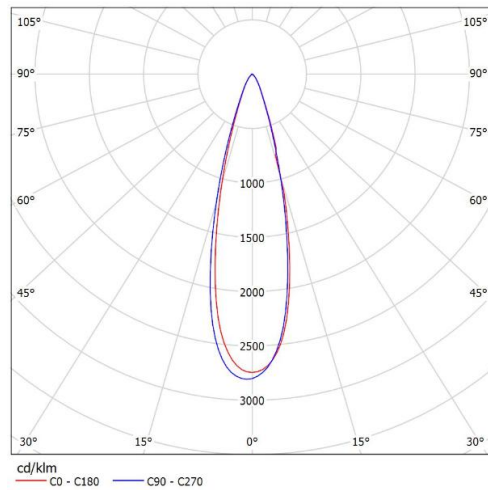
SL-A-069C-L
K:2.51cd/Im,LED:CXM-6

Distribution Curve Flux

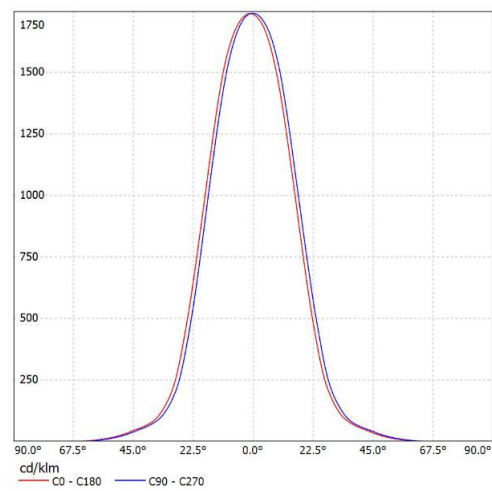
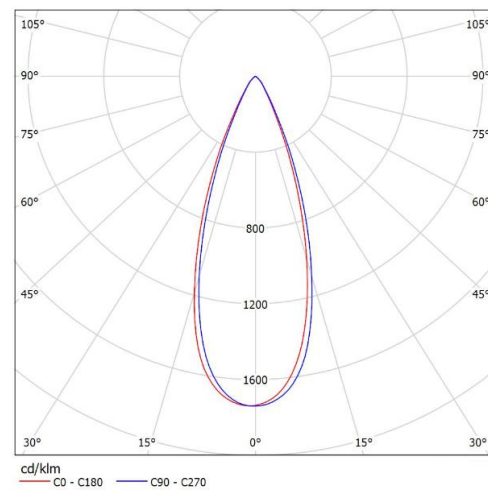
SL-A-069C&SL-A-069C-LENS&SL-CXA15-HD-B



SL-A-069C-S
K:9.94cd/lm,LED:CXA15XX



SL-A-069C-M
K:3.69cd/lm,LED:CXA15XX



SL-A-069C-L
K:2.28cd/lm,LED:CXA15XX

Package Description

SL-A-069C

| Part NO. | Without pc cover | | With pc cover | | Box Size(cm) |
|-------------|----------------------|---------------|----------------------|---------------|--------------|
| | Number per Box (pcs) | Box Weigh(kg) | Number per Box (pcs) | Box Weigh(kg) | |
| SL-A-069C-S | 448 | 7.53 | 320 | 7.5 | 64X 34 X 38 |
| SL-A-069C-M | 448 | 7.28 | 320 | 7.33 | 64X 34 X 38 |
| SL-A-069C-L | 448 | 7.43 | 320 | 7.44 | 64X 34 X 38 |

Notes

- It is not allowed to scrub the reflective surface. If there is dust on the surface, please clean by soft cotton with little water.
 - It is forbidden to clean with industrial solvent such as ethanol.
 - Storage temperature: 0°C-40°C, and humidity:30%-95%.
 - Recommended operating temperature (PC) is <100°C.
 - Keep reflectors in package to void the dust.
 - Prohibit the reflector touch with acid or alkaline solvent
-

About Shinland

Shenzhen Shinland Co. Ltd,one of the longest and most professional company in lighting optical field,have 20 years experience.Different from other factory which only have simple process, all aspects included R&D,making mold,injection molding ,vacuum coating and market support are our company own vertically integrated production .

Insisting on 'Quality First, Service First' and pragmatic, enterprising spirit,building the market by quality, casting our brand by credibility and integrity ,Shinland now become the leading supplier of lighting optical solution in China.