



Optics
Shinland

Each Ray is brighter in Shinland

SL-B-085BA

Details

Material:	URC2500
Cover Material:	PC
Process:	Vaccum Aluminum Plating PC
MAX Diameter:	85.0mm
Height:	18.1mm
Matched Holder:	SL-HD-A
Matched Cover:	WITHOUT
ROSH Compliant:	YES
Status:	Ready

Matched LED Source

CLU038
1208
G4-17
E13

Optical Properties

Code	Typ. Angle	Typ. efficiency
SL-B-085BA-S	13°	85%
SL-B-085BA-M	22°	85%

LC026B
LC033B
NVEXJ048Z
NFCxJ108B

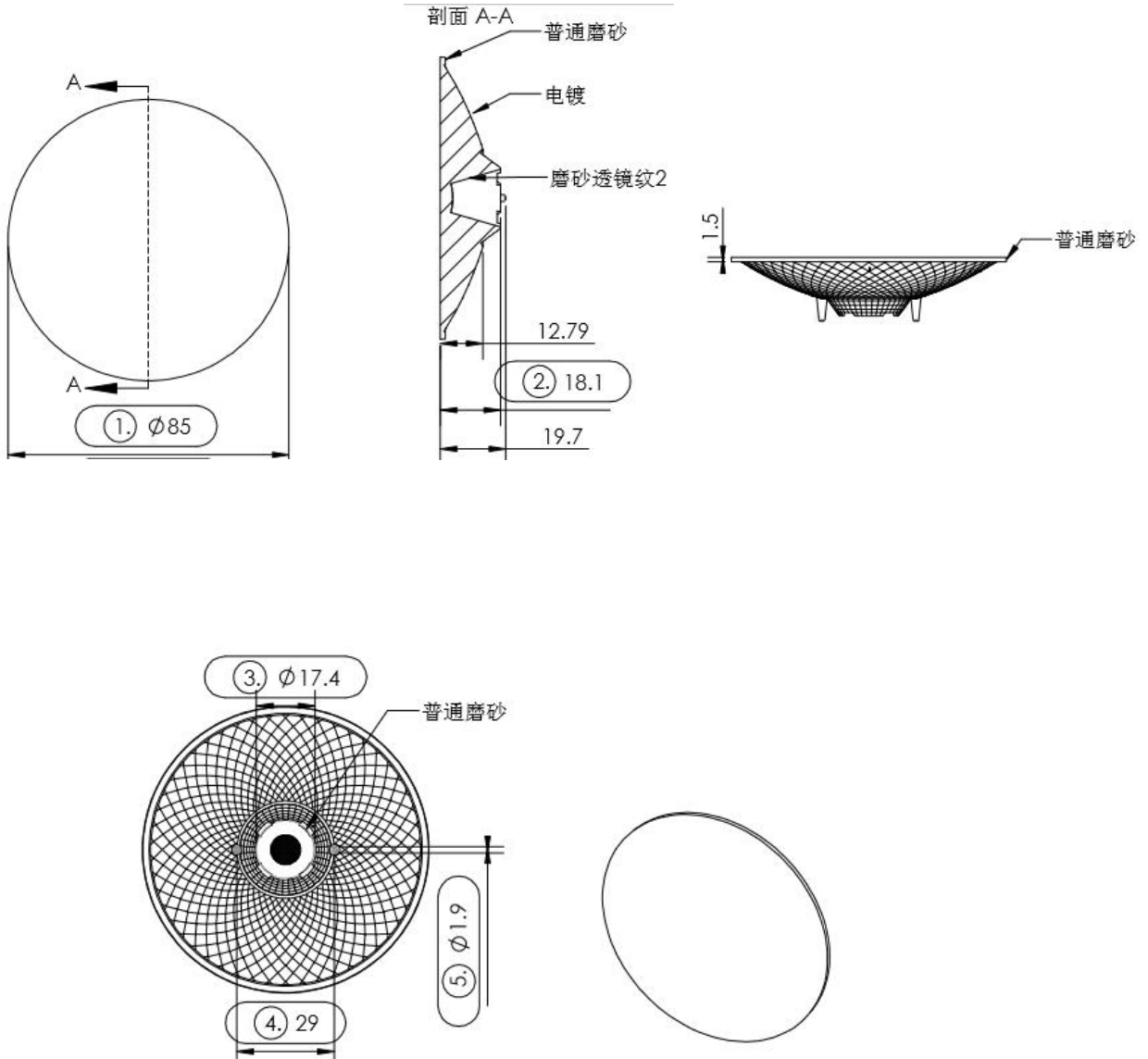
Photo



Dimensional Figure

SL-B-085BA

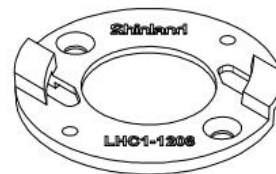
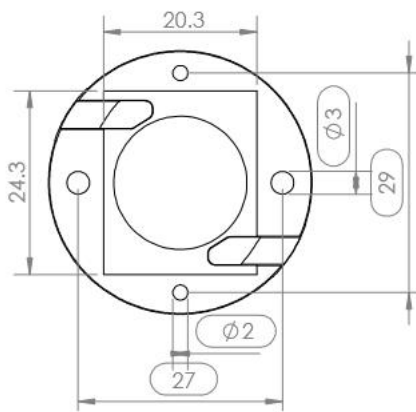
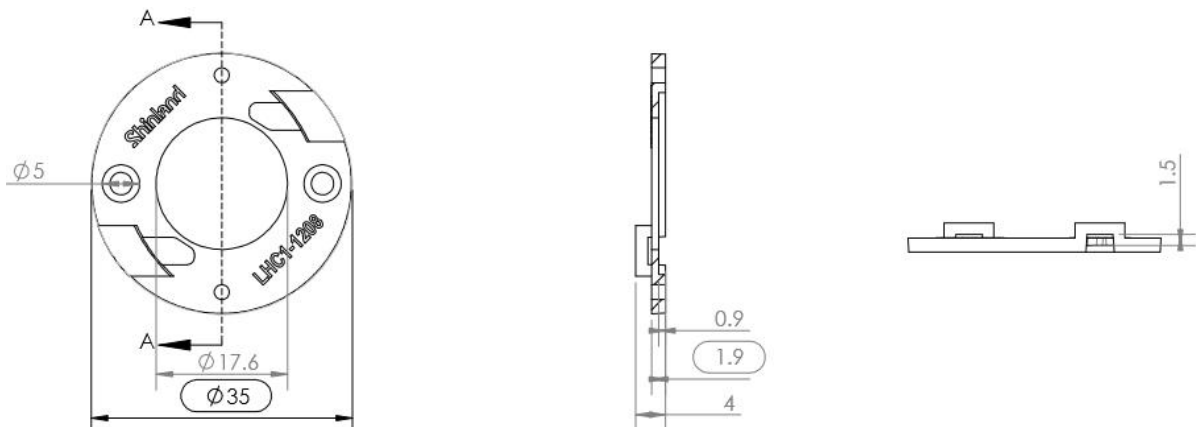
Measure Unit: mm



Dimensional Figure

SL-LHC1-1208-HD-A

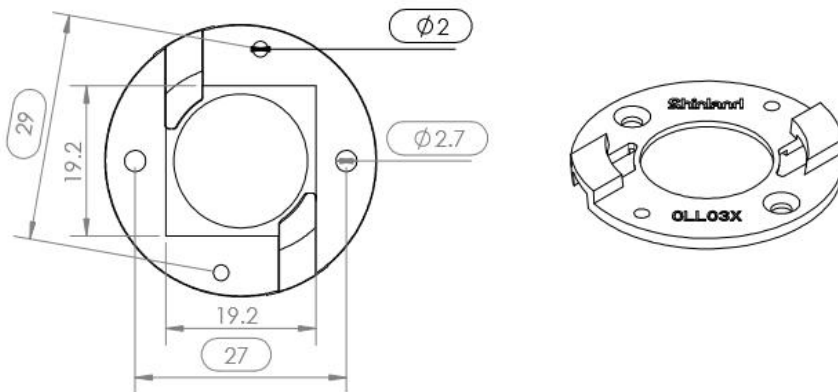
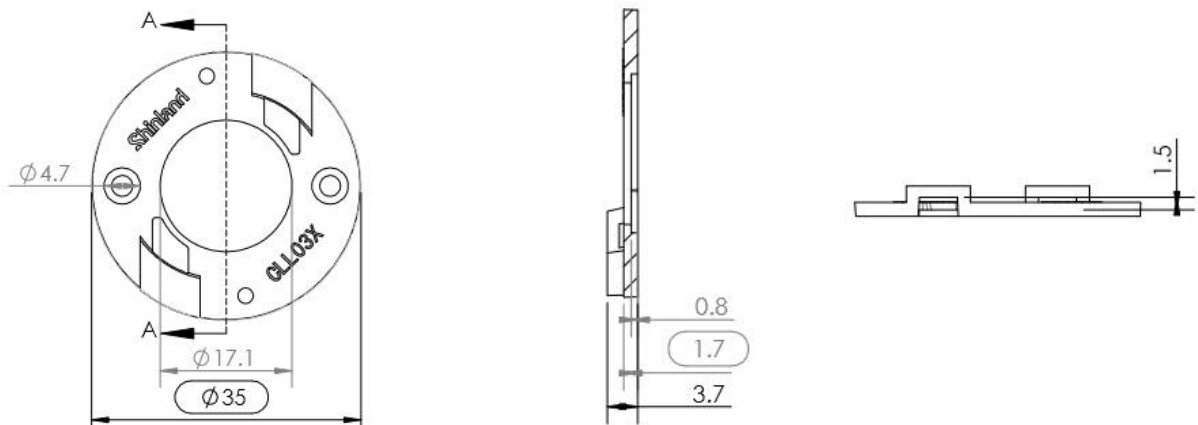
Measure Unit: mm



Dimensional Figure

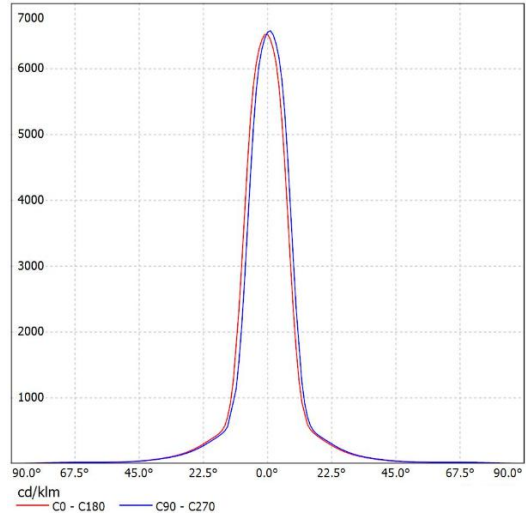
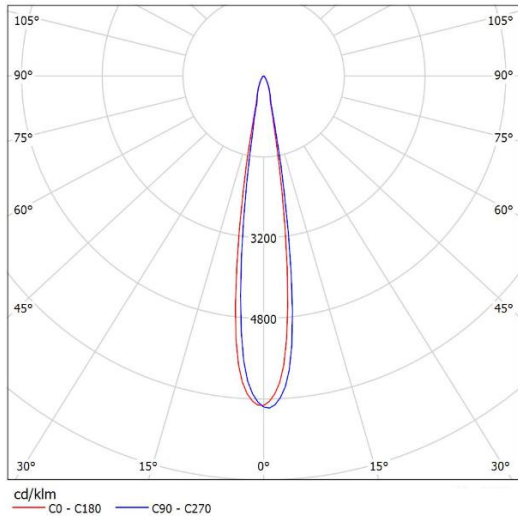
SL-CLL03X-HD-A2

Measure Unit: mm

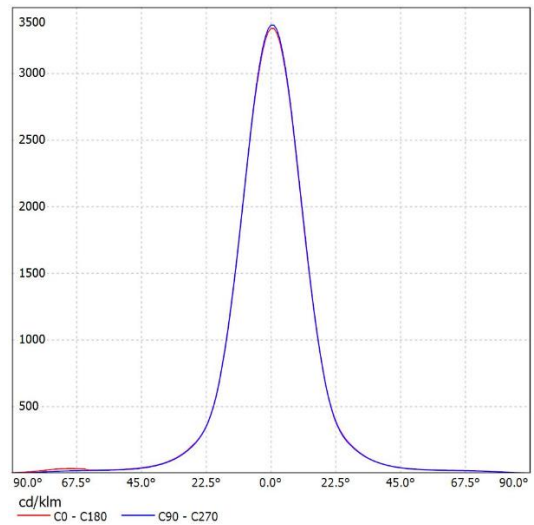
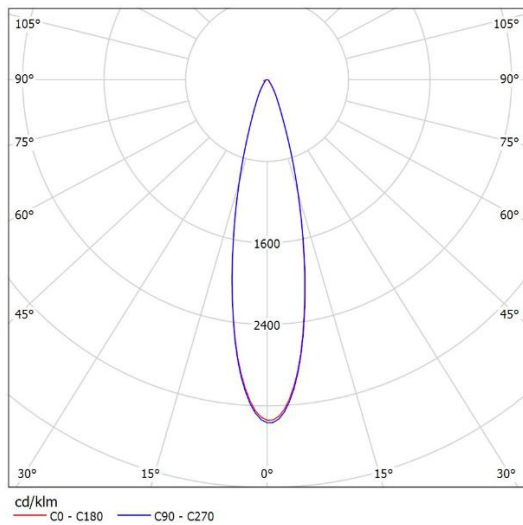


Distribution Curve Flux

SL-B-085BA&SL-LHC1-1208-HD-A



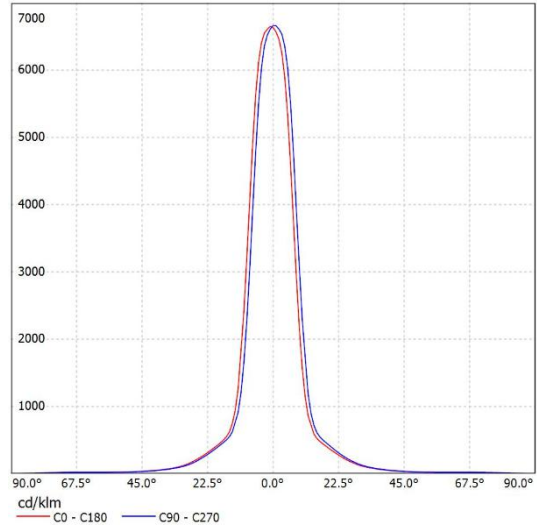
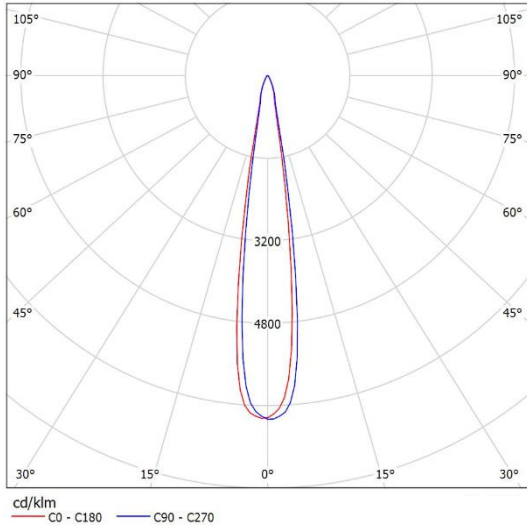
SL-B-085BA-S
K:7.75cd/lm,LED:1208



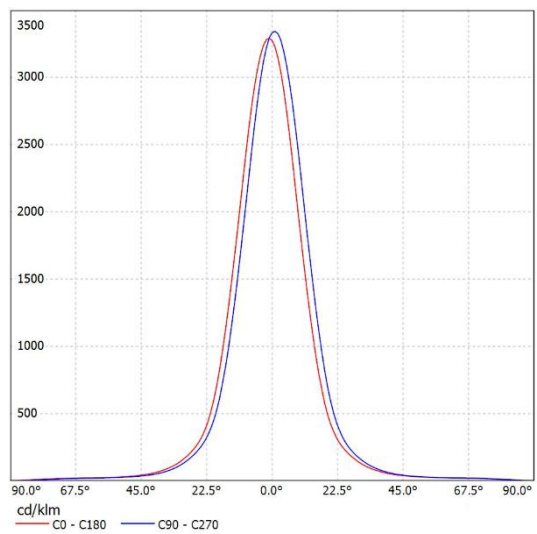
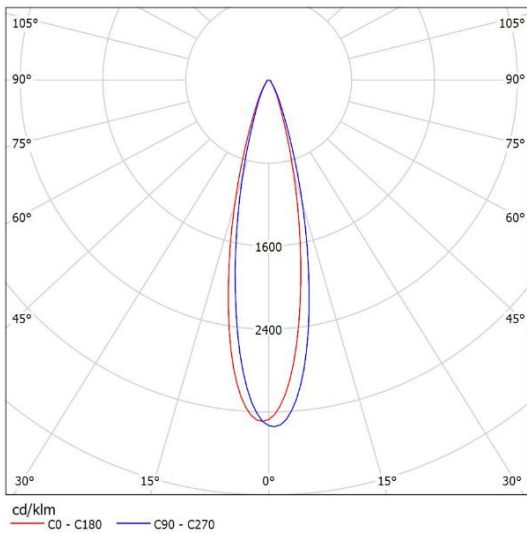
SL-B-085BA-M
K:3.92cd/lm,LED:1208

Distribution Curve Flux

SL-B-085BA&SL-CLL03X-HD-A2



SL-B-085BA-S
 K:7.81cd/Im,LED:038



SL-B-085BA-M
 K:3.96cd/Im,LED:038

Package Description

SL-B-085BA

Part NO.	Without pc cover		With pc cover		Box Size(cm)
	Number Per Box (pcs)	Box Weigh (kg)	Number Per Box (pcs)	Box Weigh (kg)	
SL-B-085BA-S	324	18.53	/	/	64×34×38
SL-B-085BA-M	324	18.53	/	/	64×34×38

Notes

- It is not allowed to scrub the reflective surface. If there is dust on the surface, please clean by soft cotton with little water.
 - It is forbidden to clean with industrial solvent such as ethanol.
 - Storage temperature: 0°C-40°C, and humidity:30%-95%.
 - Recommended operating temperature (PC) is <100°C.
 - Keep reflectors in package to void the dust.
 - Prohibit the reflector touch with acid or alkaline solvent
-

About Shinland

Shenzhen Shinland Co. Ltd,one of the longest and most professional company in lighting optical field,have 20 years experience.Different from other factory which only have simple process, all aspects included R&D,making mold,injection molding ,vacuum coating and market support are our company own vertically integrated production .

Insisting on 'Quality First, Service First' and pragmatic, enterprising spirit,building the market by quality, casting our brand by credibility and integrity ,Shinland now become the leading supplier of lighting optical solution in China.